



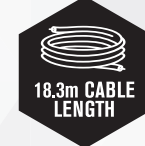
**SECURITYMATE**

SMAHD1

# Professional HD CCTV Camera

## HD 1080P CCTV Camera with Night Vision

- INSTRUCTION MANUAL



Manufactured in China  
Distributed by GENTECH INDUSTRIES  
Address: Unit 4, Barbeque Terrace, Dytchley Road,  
Barbeque Downs, South Africa  
Telephone: +27 11 466 6790/793  
Email: [customercare@gentechindustries.co.za](mailto:customercare@gentechindustries.co.za)  
[www.gentechindustries.co.za](http://www.gentechindustries.co.za)



Thank you for purchasing a quality SECURITYMATE product. This product has been manufactured and tested to specifications for international distribution. All SECURITYMATE products have a limited warranty of 1 year from the date of purchase against defects in material and manufacturer workmanship. Damage or injury due to the incorrect installation and application of the product is not covered under warranty. For all warranty related claims or queries, please contact GENTECH on +27 11 466 6790 / 793.



## Introduction:

This infrared CCTV camera is designed with night vision, and with the adoption of CMOS. This camera captures high quality images with less lag or electronic interference. The SecurityMate 1080P AHD CCTV series is best suited for surveillance due to:

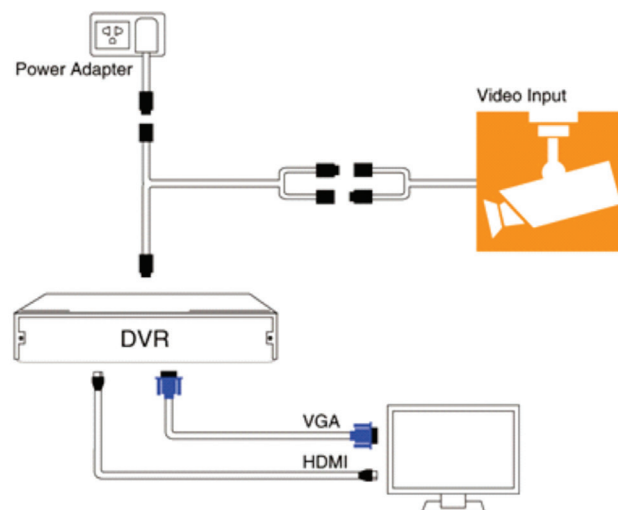
- High resolution
- High sensitivity
- Automatic electronic shutter

## Caution:

- Do not place the camera in direct sunlight, rain, or dust.
- Do not touch the CMOS sensor with your fingers, if cleaning is necessary, please use a soft cloth - dampened with a little alcohol - to wipe off any dust.

## Installation:

- Using the included screws, attach your camera to the mounting bracket.
- Attach the mounting bracket to your designated area using the screws and wall anchors. If the camera is being mounted outdoors, please ensure the video and power connectors are protected from the weather; either behind a wall, in a junction box or covered with weatherproof material.
- Connect your camera according to the diagram below.
- Before installing please ensure the power source is correct.
- Do not drop or strike your camera against a hard surface.



### \*WARNING\*

Do not mount your camera next to high voltage wiring or where the lens will be subjected to direct or reflected bright lights.

## Technical Specifications:

Image Sensor:	1/2.7" Color CMOS
Horizontal Resolution:	1080P
Signal System:	NTSC / PAL
Effective Pixels:	1920 H X 1080 V
Minimum Illumination:	0 Lux
Lens:	3.6mm
White Balance:	Auto Tracking White Balance
Video Output:	1.0Vp-p 750hm
Auto Iris:	1/50(1/60) - 1/100,000
S/N Ratio:	>48dB
Gamma Characteristics:	0.45
IR LEDs:	36pcs
Power Supply:	DC 12V/500mA MAX
Operation Temperature:	-10 ~ +50 (14 F~122 F)